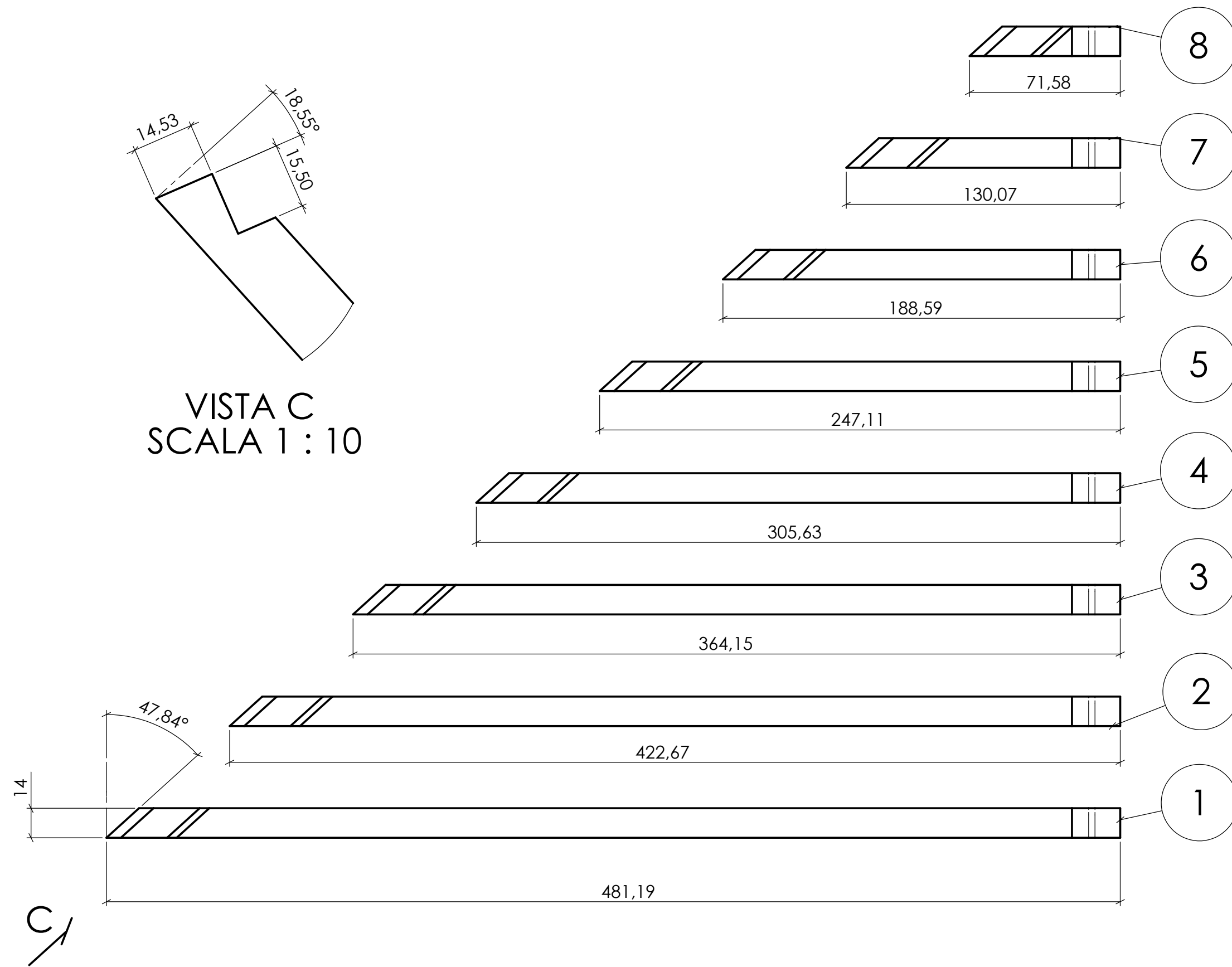


VISTA C
SCALA 1 : 10



N°	NOME	Q.tà
1	Arc8	1
2	Arc7	1
3	Arc6	1
4	Arc5	1
5	Arc4	1
6	Arc3	1
7	Arc2	1
8	Arc1	1

UNLESS OTHERWISE SPECIFIED: DIMENSIONS ARE IN MILLIMETERS		FINISH:		DEBUR AND BREAK SHARP EDGES		DO NOT SCALE DRAWING		REVISION	
TOLERANCES: LINEAR:									
ANGULAR:									
DRAWN	NAME	SIGNATURE	DATE			TITLE:			
CHK'D									
APP'VD									
MFG									
Q.A.				MATERIAL:		DWG NO:		Asm_Arcarecci_1 A2	
				WEIGHT:		SCALE:1:20		SHEET 1 OF 1	