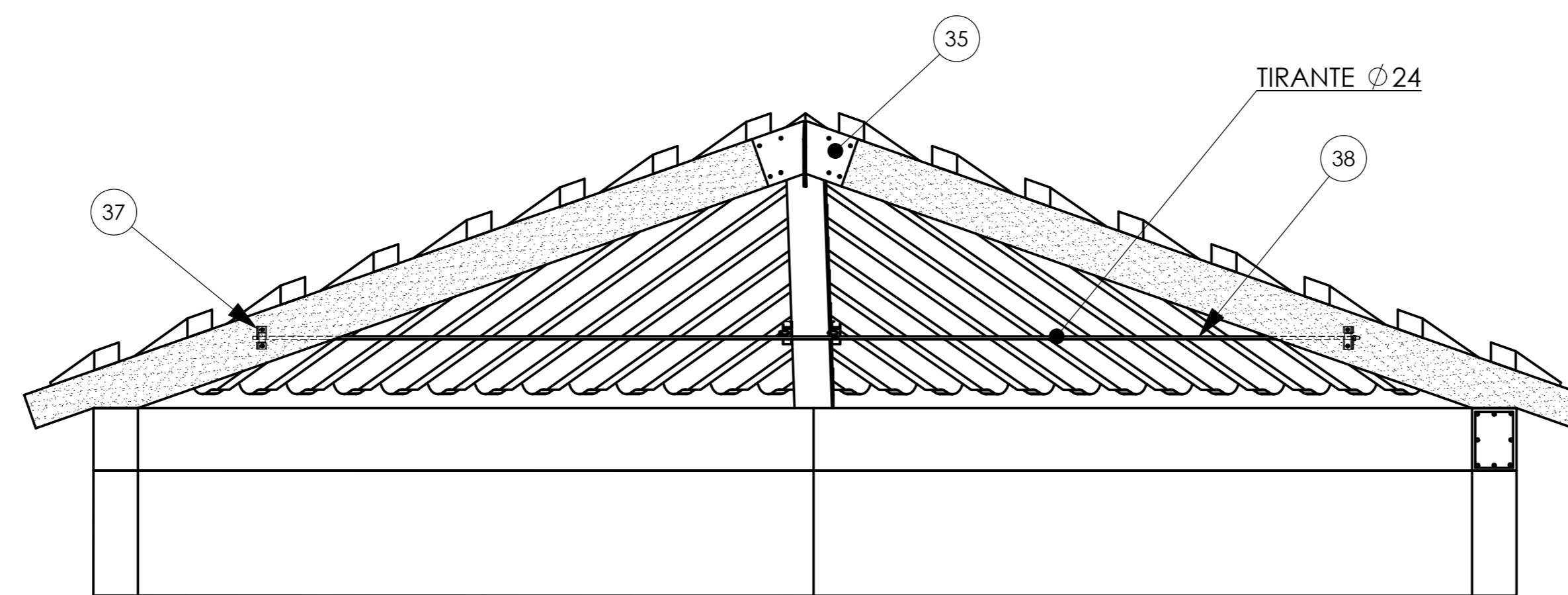
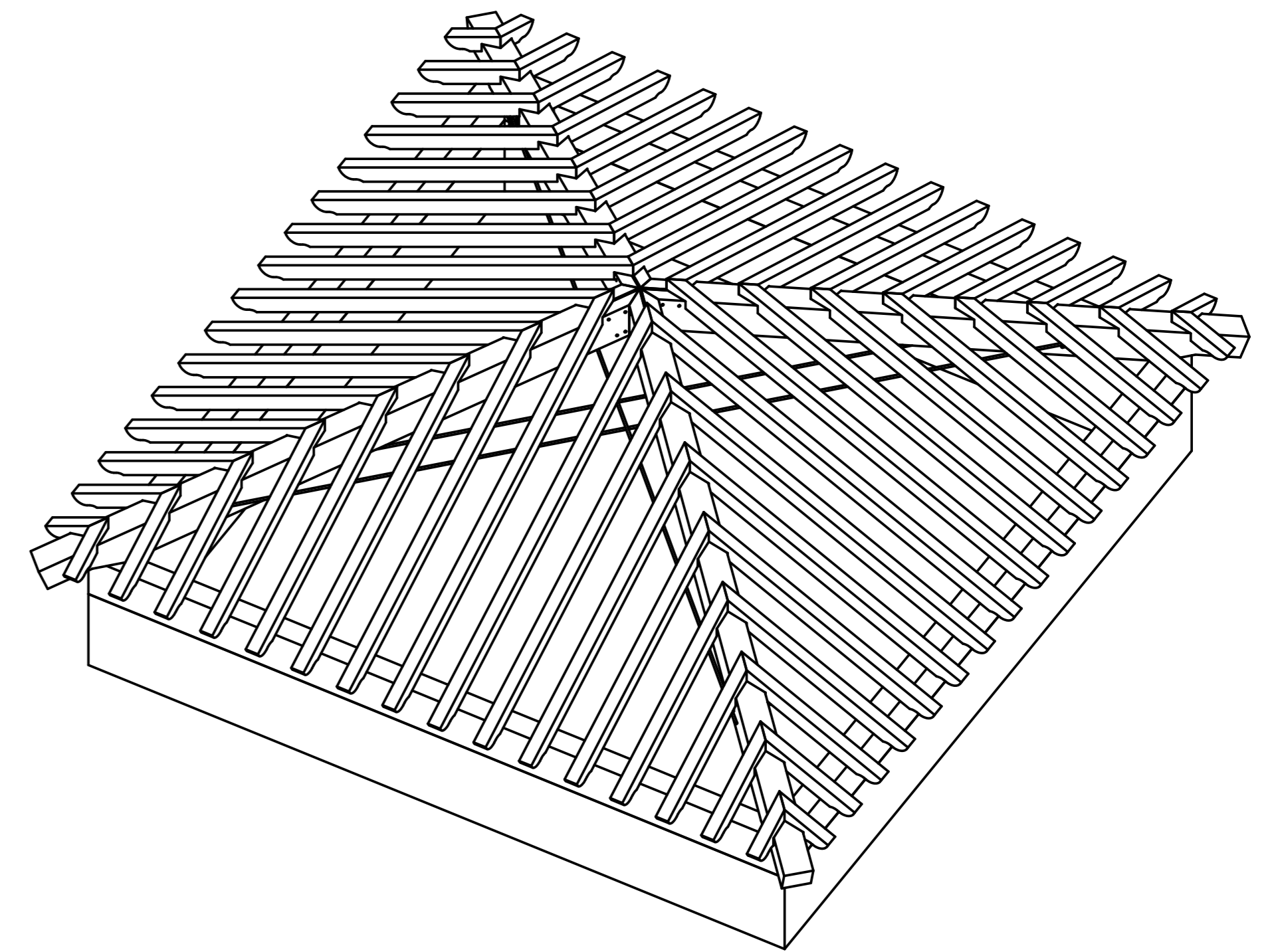


N°	NOME	Q.tà
1	Trave_1	2
2	Trave_1m	2
3	Arc1	2
4	Arc2	2
5	Arc3	2
6	Arc4	2
7	Arc5	2
8	Arc6	2
9	Arc7	2
10	Arc8	2
11	Arc8M1	2
12	Arc7M1	2
13	Arc6M1	2
14	Arc5M1	2
15	Arc4M1	2
16	Arc3M1	2
17	Arc2M1	2
18	Arc1M1	2
19	Arc1mM	2
20	Arc2mM	2
21	Arc3mM	2
22	Arc4mM	2
23	Arc5mM	2
24	Arc6mM	2
25	Arc7mM	2
26	Arc8mM	2
27	Arc8m	2
28	Arc7m	2
29	Arc6m	2
30	Arc5m	2
31	Arc4m	2
32	Arc3m	2
33	Arc2m	2
34	Arc1m	2
35	Asm_Croce	1
37	Fazzoletto	8
38	Tirante	4



SECTION A-A
SCALE 1 : 40

UNLESS OTHERWISE SPECIFIED: DIMENSIONS ARE IN MILLIMETERS		FINISH:		DEBUR AND BREAK SHARP EDGES		DO NOT SCALE DRAWING		REVISION	
TOLERANCES: LINEAR: ANGULAR:									
DRAWN	NAME	SIGNATURE	DATE					TITLE:	
CHK'D									
APP'VD									
MFG									
G.A.									
				MATERIAL:		DWG. NO.		Assieme A1	
				WEIGHT:		SCALE:1:2		SHEET 1 OF 1	